

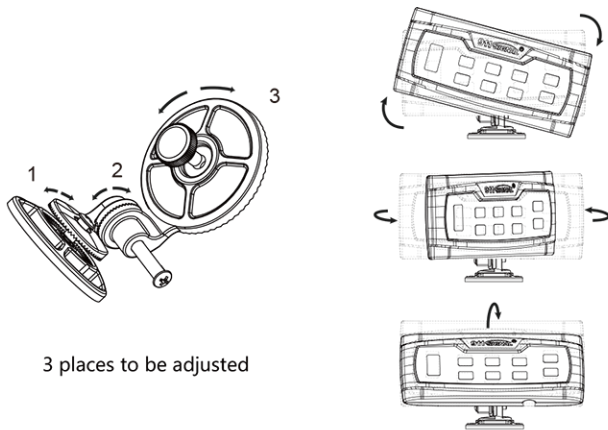
Control Panel BR9000



- Switching of up to nine auxiliary functions.
- LED Backlit and function identification.
- Button features is divided into three regions.
- Independent of the main power switch.
- S.A.E. Automotive-Grade Wiring, Color-coded.
- 360 Swivel mount bracket is included for mounting the control panel on any angled surface.
- Support the Control of any lightbar or Traffic Advisors light.
- Not only for light control, siren tones scalable.

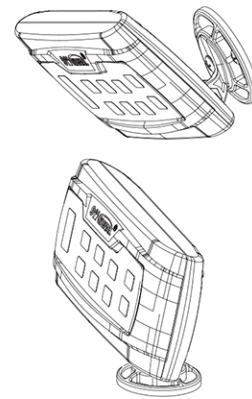
Installation

Bracket 360 degree adjustable



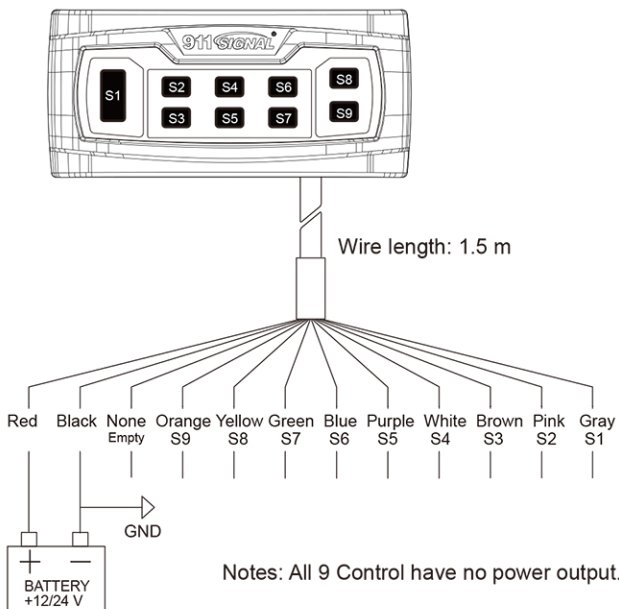
3 places to be adjusted

Suitable for many vehicle

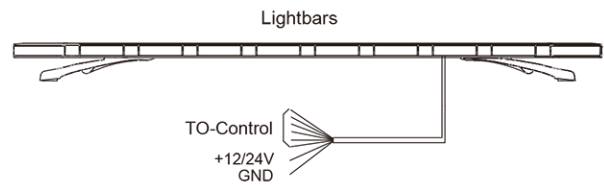


Operation Wire

Control Panel

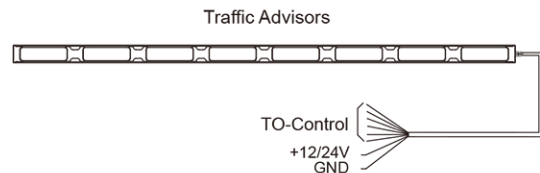


a. Work As Lightbar Control Panel



Notes: link to the corresponding control line.
leave it blank, if have no corresponding function.

b. Work As Traffic Advisors Control Panel



Notes: link to the corresponding control line.
leave it blank, if have no corresponding function.

c. Work As Siren Tones Control Panel

