



INSTALLATION & MAINTENANCE INSTRUCTIONS

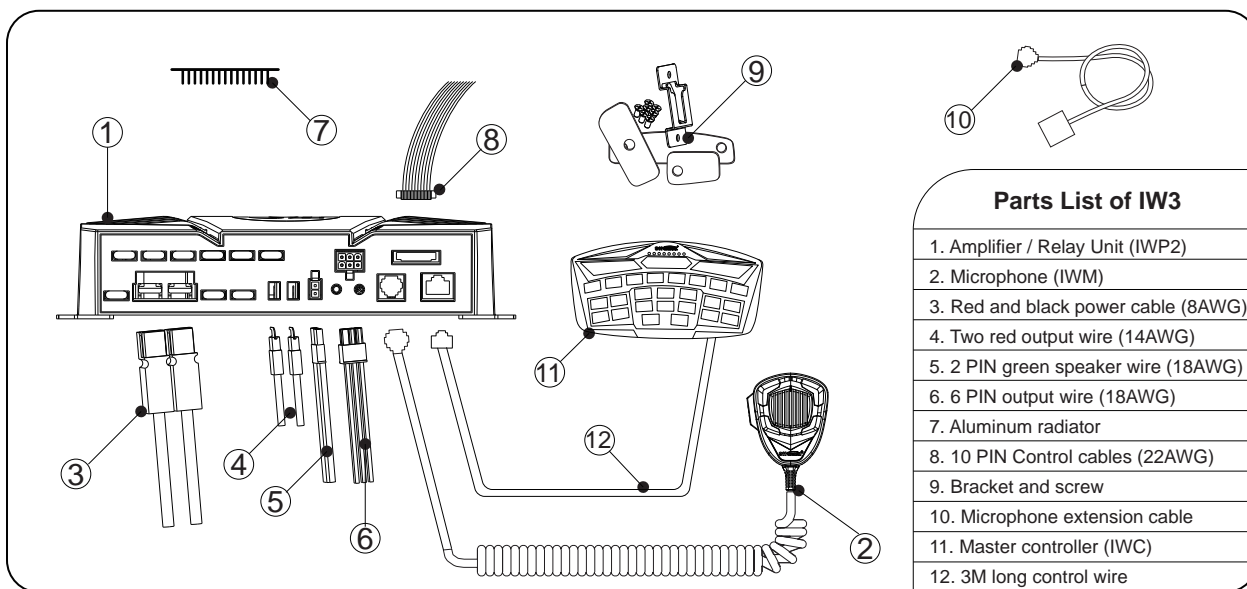
Model: IWR

IMPACT TM Siren Series



DESCRIPTION AND SPECIFICATION

911 Signal model IW3 Siren is a Multi-Functional configuration called the IMPACT™ siren series. The siren includes an Amplifier / Relay Unit (IWP2), a Microphone (IWM) and a Master controller (IWC).



- IW 3 - Provides an electronic siren and light control system.
- IW 3 - Provides 8 kinds of siren sounds.
- IW 3 - Offers load output for the light system.
- IW 3 - 27 control buttons available.

IW 3 Specification

Input Voltage	12V
Operating Temperature Range	-20°C to + 60°C.
Standby Current	Less than 0.1 amps
Operating Current	10 amperes (nominal).
(no lamps on) (12V battery, 8 ohm @ 100W)	
Frequency Range	300 to 1600Hz.
Harmonic Distortion.....	Less than 10% from 5 to 100 watts.
15A Output Current	2 groups
10A Output Current	2 groups
5A Output Current	4 groups

INSTALLATION INSTRUCTIONS

1.1 Unpacking and examining the siren unit

2.0 Amplifier / Relay Unit housing Mounting.

Caution: The IW 3 Amplifier/Relay Unit housing is NOT waterproof. It must be mounted in a location which is sheltered from falling rain, snow, standing water, etc. Also, it must be installed in an adequately ventilated area. Never install near heater ducts. Do not mount the IW 3 Amplifier/Relay Unit under the vehicle's hood.

2.1 Mounting Location Selection, See Figure 2-1 (Dimension)

Please select the location larger than the size of the IW 3 to install.

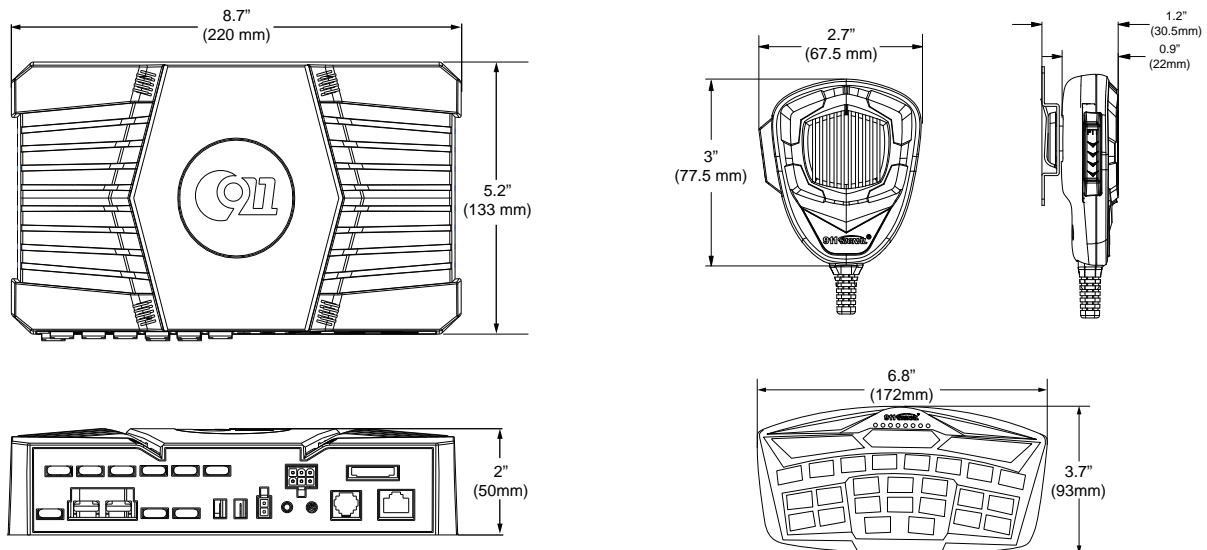


Figure 2-1. Dimension.

2.2 Mounting and Installing the Siren Unit

2.2.1 Mounting Brackets. See Figure 2-2 (Bracket) There are two ways to choose.

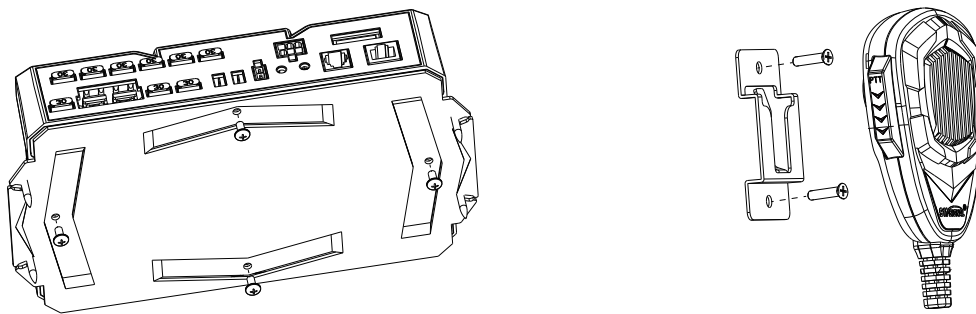


Figure 2-2. Bracket.

2.2.2 Fixation. See Figure 2-2-2 (Fixation)

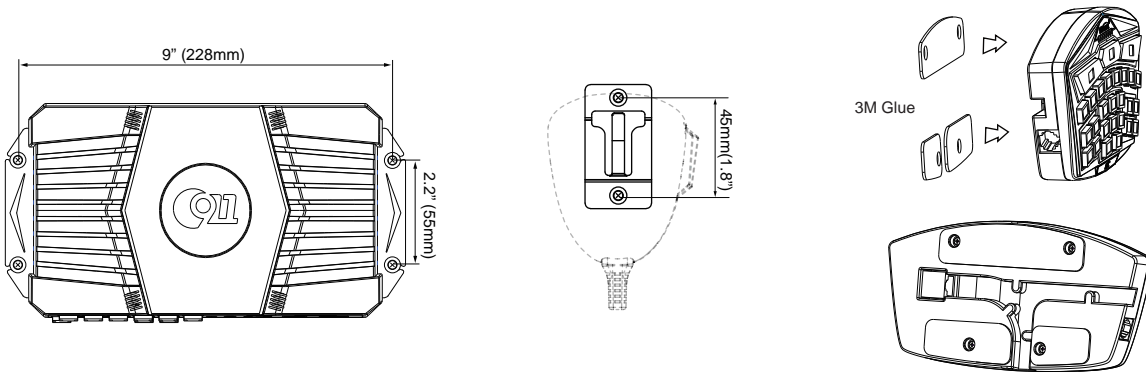
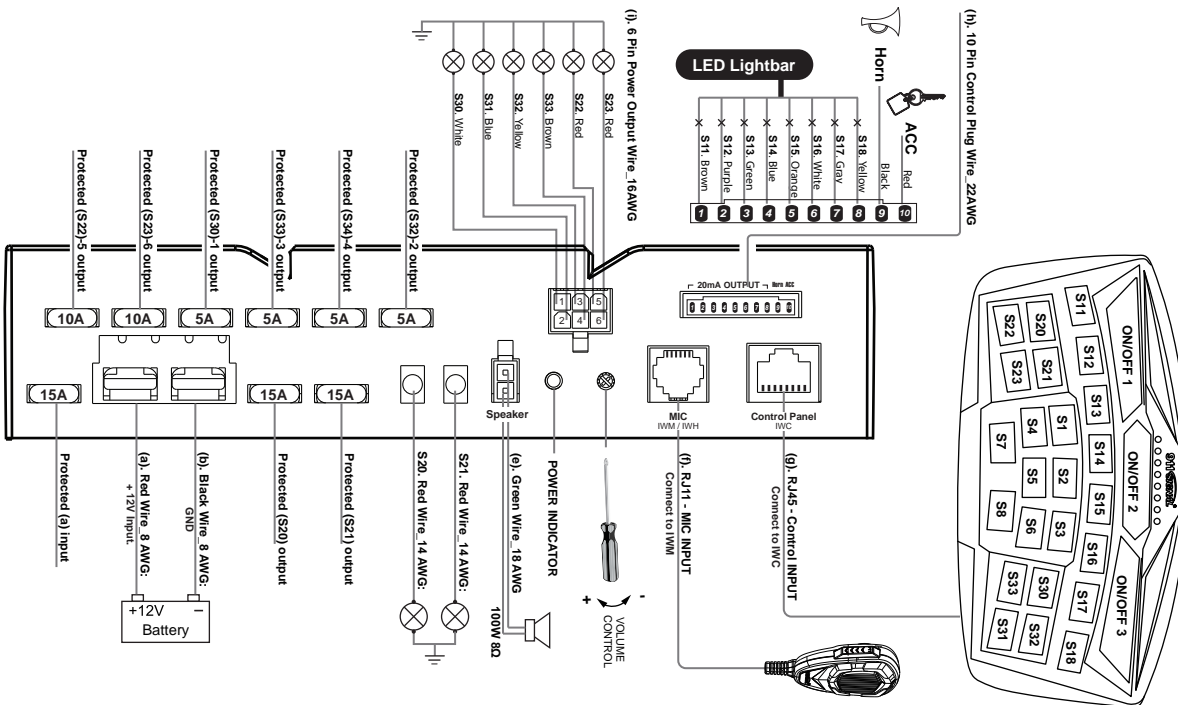


Figure 2-2-2. Fixation.

2.3 Wiring Diagram. See Figure 2-3 (Wiring Diagram)



Button Functions		
ON/OFF 1: Switch 1 with memory function	S22-S23: On/off, offers 10A of power output Can be connected to traffic advisors or lighthoods	
ON/OFF 2: Switch 2 with memory function		
ON/OFF 3: Switch 3 with memory function		
S11-S16: On/off, no power output Can be connected to control line of lightbar	S30-S33: On/off, offers 5A of power output Can be connected to lighthoods	
S17-S18: Mode, no power output Can be connected to flash pattern selection line of lightbar	SOUND AREA	
S20-S21: On/off, offers 15A of power output Can be connected to lightbar or lighthoods	S1: Sound 1	S5: Sound 5
	S2: Sound 2	S6: Sound 6
	S3: Sound 3	S7: Sound 7
	S4: Sound 4	S8: Sound 8

Figure 2-3. Wiring Diagram



3.1

Important Warning.

- Your hearing and the hearing of others, in or close to your emergency vehicle, could be damaged by loud sounds.
- All effective sirens and horns produce loud sounds (120 dB) that may cause permanent hearing loss. Always minimize your exposure to siren sound, roll up your windows and wear hearing protection device.
- Do not sound the siren indoors or in enclosed areas where you and others will be exposed to the sound. Only use the siren for emergency response situations.

4.0 Service and Maintenance

For warranty service, contact your local Distributor. The factory can and will service your equipment or assist you with technical problems that cannot be handled satisfactorily and promptly locally.

The Amplifier / Relay Unit internal structure. See figure 4-1

4.1 To disassemble the Amplifier / Relay Unit, operate as follows:

- (A). Disconnect the Amplifier / Relay Unit cable. Remove the bracket (if used).
- (B). Remove the 911 logo stickers.
- (C). Remove and retain the screws from the front part of the Amplifier / Relay Unit.
- (D). Separate the rear housing (base) of Amplifier / Relay Unit from the bezel.
- (E). Remove the screws and separate two PCI boards.
- (F). Lift the surface cover of the transformer out through the bezel.
- (G). After repair or replacement, Reassemble by the previously removed screws. Reassemble bracket (if used), and insert the modular connector.

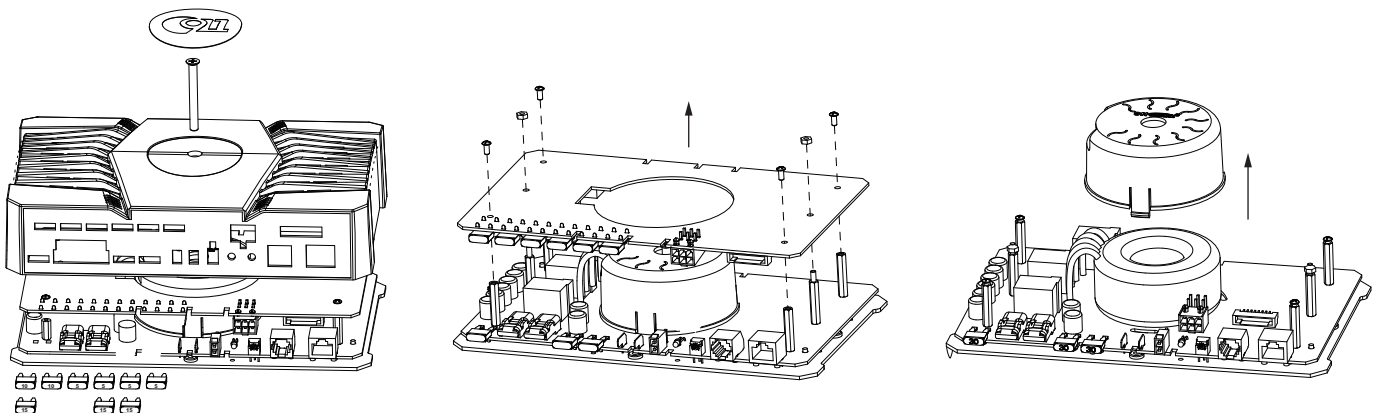


Figure 4-1. Internal structure

Wireless Controller

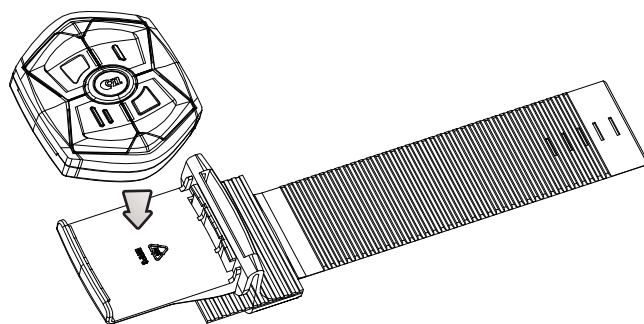
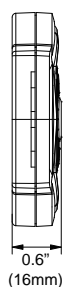
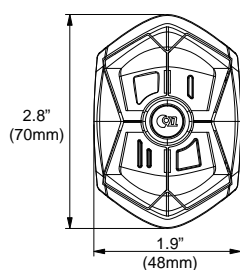
4.1 Description

- Wireless Controller for IMPACT
- Can control the lights and sounds.
- . 5 Button
- . more than 10m effective distance
- . Use A23 battery



More than 10M

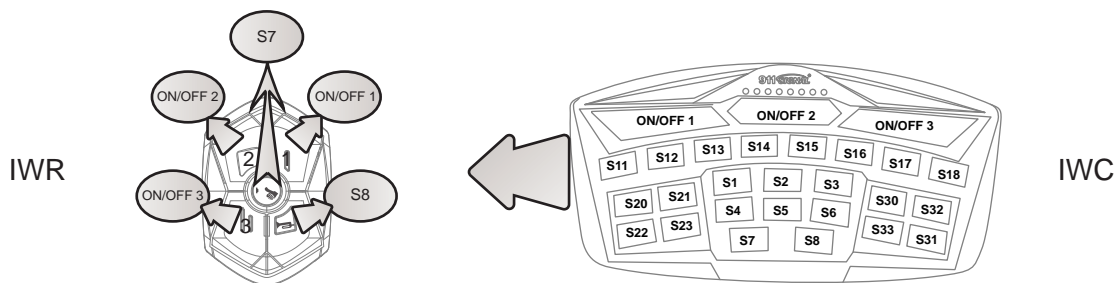
4.2 Dimension



4.3 Installation



4.4 Function



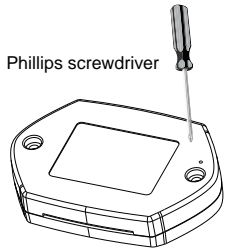
Note:

1. Functionally equivalent to the button on IWC.
2. You must set the function of IWC on on/off 1-3 button, before using IWR 1,2,3 button.

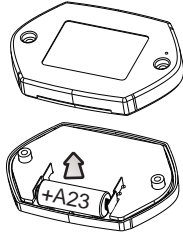
Wireless Controller

4.5 Replacing the battery

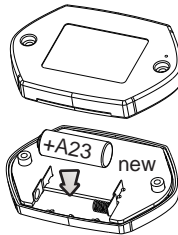
A. Unscrew the screws



B. Open the bottom cover, remove the battery.



C. Insert the batteries as illustrated



D. Cover bottom, tighten the screws.

