



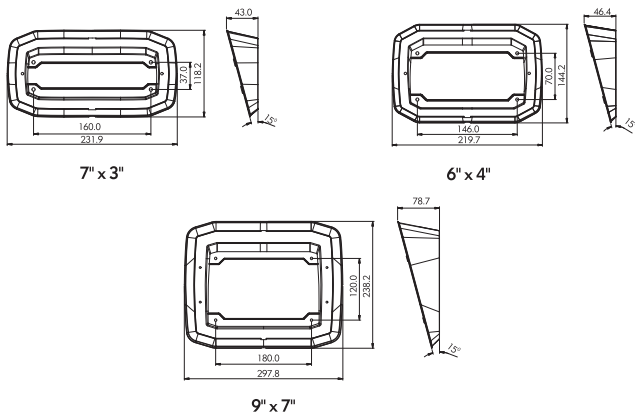
STARK O BRACKET

| 6" x 4" | 7" x 3" | 9" x 7" |

Features

- > 15° angled design of the bracket makes the STARK O highly compatible to the curved wall of ambulances, ensuring the light emits from the horizontal direction. Thus no bother for the vehicle outfitter to take additional conversion for the mounting, which is more time and cost efficient.
- > Durable ABS molding gives a robust and light-weighted product.
- > UV, heat, water and corrosion resistant .
- > Easy and simple installation with only 4 screws
- > Available in white and chromed models.
- > Includes a silicon pad to prevent any scratch may be occurred to the vehicle.

| Model | Types | Item |
|-------|-----------------|--------|
| 7"x3" | White Bracket | 104101 |
| | Chromed Bracket | 104102 |
| 6"x4" | White Bracket | 104103 |
| | Chromed Bracket | 104104 |
| 9"x7" | White Bracket | 104105 |
| | Chromed Bracket | 104106 |



911 Signal Technology Inc.

China Office
Tel: +86-574-89017911
Fax: +86-574-82822560
Email: sales@911signal.com

France Office
Tel: +33(0)659163209
Email: euoffice@911signalgroup.com
www.911signal.com

