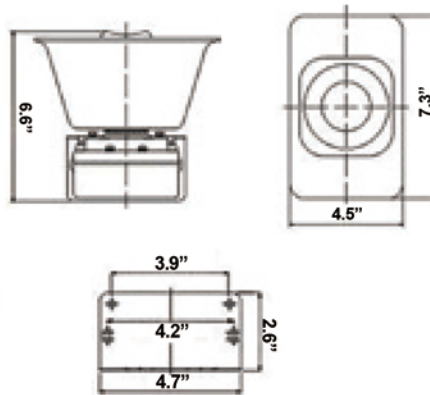


SPEAKER



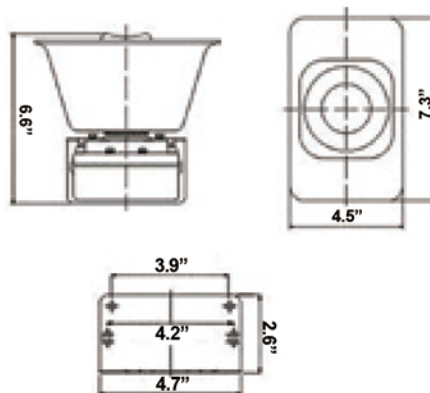
S100-1



Power 100W
Impedance 8 Ohms
Frequency Range 400-4000HZ
Sound Distortion Factor ≤5%
Sound Pressure 120-130dB



S80-1



Power 80W
Impedance 8 Ohms
Frequency Range 300-5000HZ
Sound Distortion Factor ≤5%
Sound Pressure 115-122dB